

1.15 Service Factor (SF) • Available in IE1 (0.25HP to 0.75HP) & IE3 (1HP & larger) in 2 and 4 poles • IP67 or IP69K
 230/460V or 333/575V 60 Hz • All stainless Steel 304 Construction (Shafts made of SS420 steel grade)
 Class F insulation • Etched nameplate • Available in B3, B14 and B5 mounting • Includes Thermistors (150°C)
 Round lead box equipped with stainless steel cable glands & 1 meter of 4 core double insulated cable
 Turn down ratio 3:1CT & 10:1 VT • CSA safety approvals • IE3 CSA energy verified • TENV or TEFC design



See page 58 for connection diagrams

20% adder to list price for IP69K motors

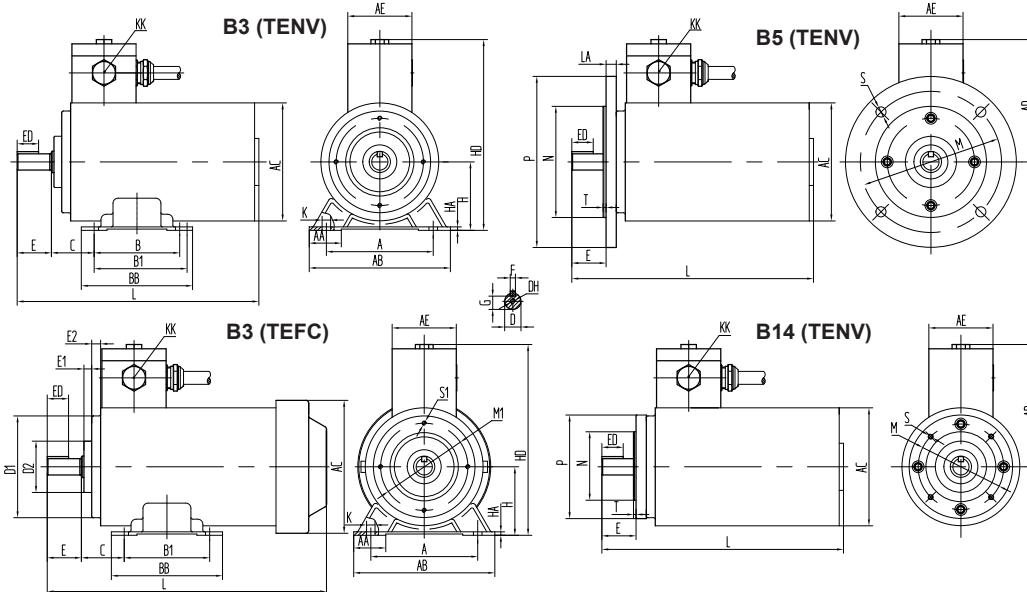
2 POLE - 3600 RPM

Part Number	Enclosure	HP	Full Load Amps			Speed Min ⁻¹	Weight (lbs)	List Price \$
			460 V	575 V				
LA 63 1-2	TENV	0.25	0.35	0.30	3430	23	943.00	
LA 63 2-2	TENV	0.35	0.48	0.38	3420	25	983.00	
LA 71 1-2	TENV	0.50	0.69	0.56	3450	31	1,138.00	
LA 71 2-2	TENV	0.75	1.00	0.88	3430	35	1,188.00	
LA 80 1-2 *	TENV	1.00	1.36	1.09	3450	45	1,704.00	
LA 80 2-2 *	TENV	1.50	1.95	1.60	3470	51	1,755.00	
LA 90S 1-2 *	TEFC	2.00	2.40	2.06	3475	66	2,482.00	
LA 90L 1-2 *	TEFC	3.00	3.50	2.98	3475	70	2,488.00	
LA 100L 1-2 *	TEFC	4.00	4.60	3.63	3485	86	3,086.00	
LA 112M 1-2 *	TEFC	5.50	6.00	5.20	3460	106	5,628.00	
LA 132S 1-2 *	TEFC	7.50	8.10	6.44	3540	187	7,125.00	
LA 132S 2-2 *	TEFC	10.00	10.90	8.72	3540	198	7,223.00	
LA 132M 1-2 *	TEFC	15.00	15.90	12.72	3535	220	9,896.00	

4 POLE - 1800 RPM

Part Number	Enclosure	HP	Full Load Amps			Speed Min ⁻¹	Weight (lbs)	List Price \$
			460 V	575 V				
LA 63 2-4	TENV	0.25	0.48	0.38	1700	25	1,004.00	
LA 71 1-4	TENV	0.35	0.58	0.45	1740	30	1,123.00	
LA 71 2-4	TENV	0.50	0.83	0.65	1740	33	1,188.00	
LA 80 1-4	TENV	0.75	1.24	0.96	1730	45	1,433.00	
LA 80 2-4 *	TENV	1.00	1.62	1.26	1730	49	1,744.00	
LA 90S 1-4 *	TEFC	1.50	1.90	1.59	1755	66	2,404.00	
LA 90L 1-4 *	TEFC	2.00	2.60	2.10	1750	69	2,461.00	
LA 100L 1-4 *	TEFC	3.00	3.70	3.47	1750	84	3,333.00	
LA 100L 2-4 *	TEFC	4.00	5.10	4.63	1750	84	3,379.00	
LA 112M 1-4 *	TEFC	5.50	6.00	5.73	1755	104	5,662.00	
LA 132S 1-4 *	TEFC	7.50	9.00	7.90	1760	178	7,135.00	
LA 132M 1-4 *	TEFC	10.00	12.10	10.20	1760	207	7,819.00	
LA 132M 2-4 *	TEFC	15.00	16.90	14.50	1765	338	8,601.00	

* Premium Efficiency



Modular Flanges

See page 23 for flange list

Frame (H)	A	AA	AB	BB	HA	B	B1	C	D	D1	D2	DH	E	E1	E2	F	G	HD	K	KK METRIC	AE	LA	ED	L TENV	L TEFC
63	100	32	132	110	4	80	N/A	40	11	95	45	M3	23	11.5	20.0	4	8.5	190	7	2-M20x1.5	65	15	13	265	300
71	112	30	140	120	4	90	N/A	45	14	108	50	M4	30	10.0	26.5	5	11.0	205	7	2-M20x1.5	65	15	20	290	335
80	125	37.5	165	130	4	100	N/A	50	19	119	60	M6	40	6.5	10.5	6	15.5	230	10	2-M20x1.5	75	12	25	323	360
90	140	40	180	165	4	100	125	56	24	135	80	M6	50	7.5	15.0	8	20.0	255	10	2-M20x1.5	75	12	40	375	415
100	160	45	205	180	4	140	N/A	63	28	150	76	M10	60	7.5	7.0	8	24.0	280	12	2-M20x1.5	85	12	45	430	480
112	190	60	250	180	5	140	N/A	70	28	166	76	M10	60	7.0	28.0	8	24.0	315	13	2-M25x1.5	85	12	45	440	495
132	216	60	276	218	5	140	178	89	38	200	93	M12	80	11.5	24.0	10	33.0	350	13	2-M25x1.5	85	16	63	555	617

Frame (H)	AD	AC TENV	AC TEFC	M1	S1	M	N	B5 P	S	T	M	N	B14 P	S	T
63	128	119	133	78	M6	115	95	140	10	3.5	75	60	95	M5	2.5
71	135	129	150	90	M6	130	110	160	10	3.5	85	70	105	M6	2.5
80	150	139	165	102	M6	165	130	200	12	3.5	100	80	120	M6	3.0
90	160	164	190	115	M6	165	130	200	12	3.5	115	95	140	M8	3.0
100	185	186	210	96	M6	215	180	250	15	4.0	130	110	160	M8	3.5
112	203	220	240	96	M6	215	180	250	15	4.0	130	110	160	M8	3.5
132	215	261	280	153	M8	265	230	300	15	4.0	165	130	200	M10	4.0